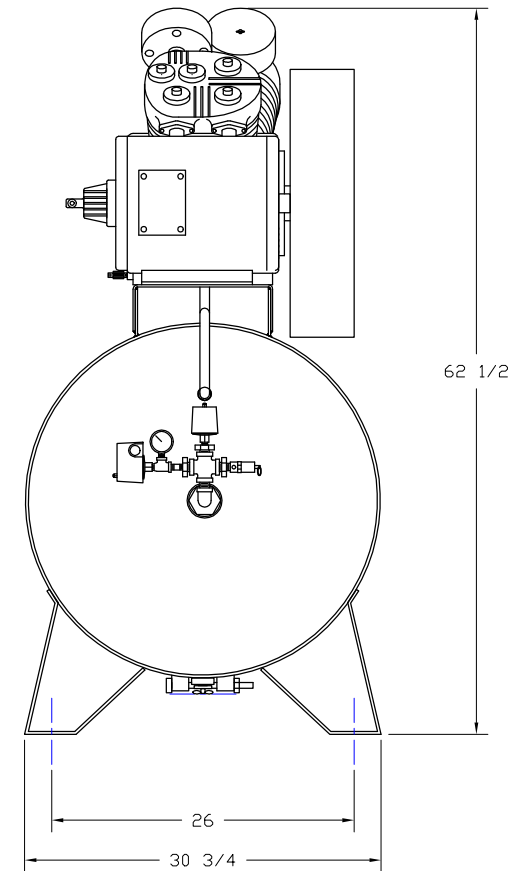
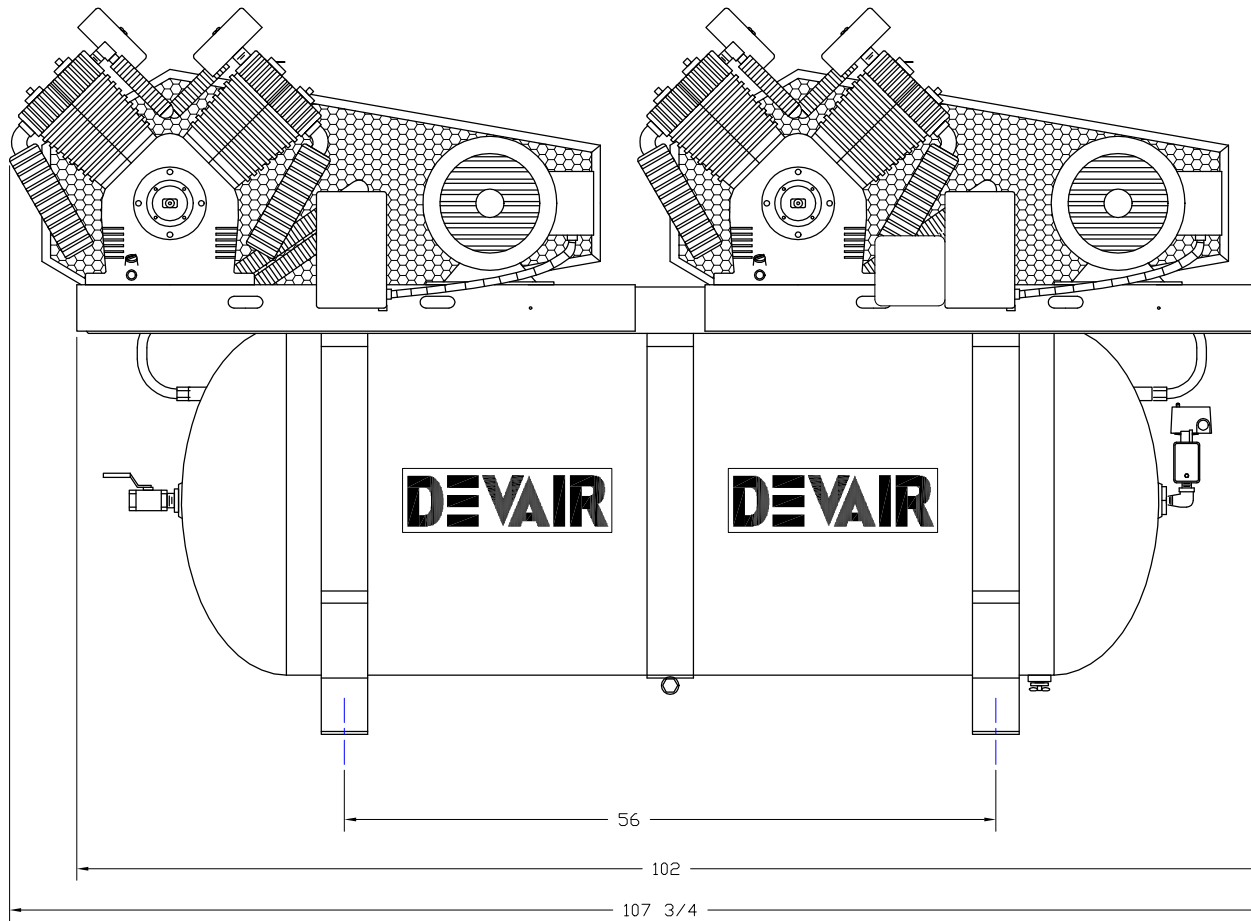


REV.	DATE	REVISION DESCRIPTION	PCN NO.



COMPRESSOR OUTFIT DATA				PRESSURE SETTING		RECEIVER CAPACITY		COMPRESSOR PUMP DATA				WEIGHT		ELECTRICAL				
MODEL	HP	DISPL. SCFM	DEL'Y SCFM	PSIG	KPA	GAL.	LITRS	TYPE	CYLD.	STAGE	RPM	LB.	KG.	VOLTAGE	200/3	230/3	460/3	575/3
VAV-5582	15	2 X 64.8	2 X 52.1	150	1034	240	908	447	4	2	880	2074	941	F.L.A.	47	42	21	16

IMPORTANT NOTE: This print is the confidential property of DEVAIR, INC. It is not to be used or reproduced in any manner, nor submitted to other parties for examination without the prior approval of DEVAIR, INC.

FRACTIONAL DIMENSIONS:  $\pm 1/32$   
 DECIMAL DIMENSION:  $\pm .005$   
 ANGLES:  $\pm 1^\circ$   
 \*UNLESS OTHERWISE SPECIFIED

# DEVAIR

NAME OF PROJECT				DESCRIPTION OF DRAWING		
15 HP., 240 GAL., 150 PSI PRESSURE DUPLEX AIR COMPRESSOR				COMPRESSOR OUTFIT		
DRAWN BY CHECKED BY DATE SCALE				DRAWING NO.		SHT NO REV
ADAM SMITH		NDV.20/00		VAV-5582		