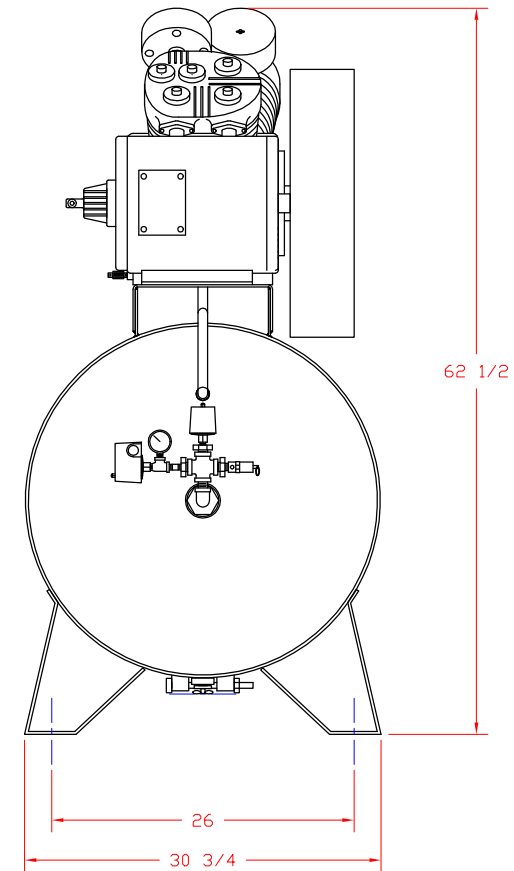
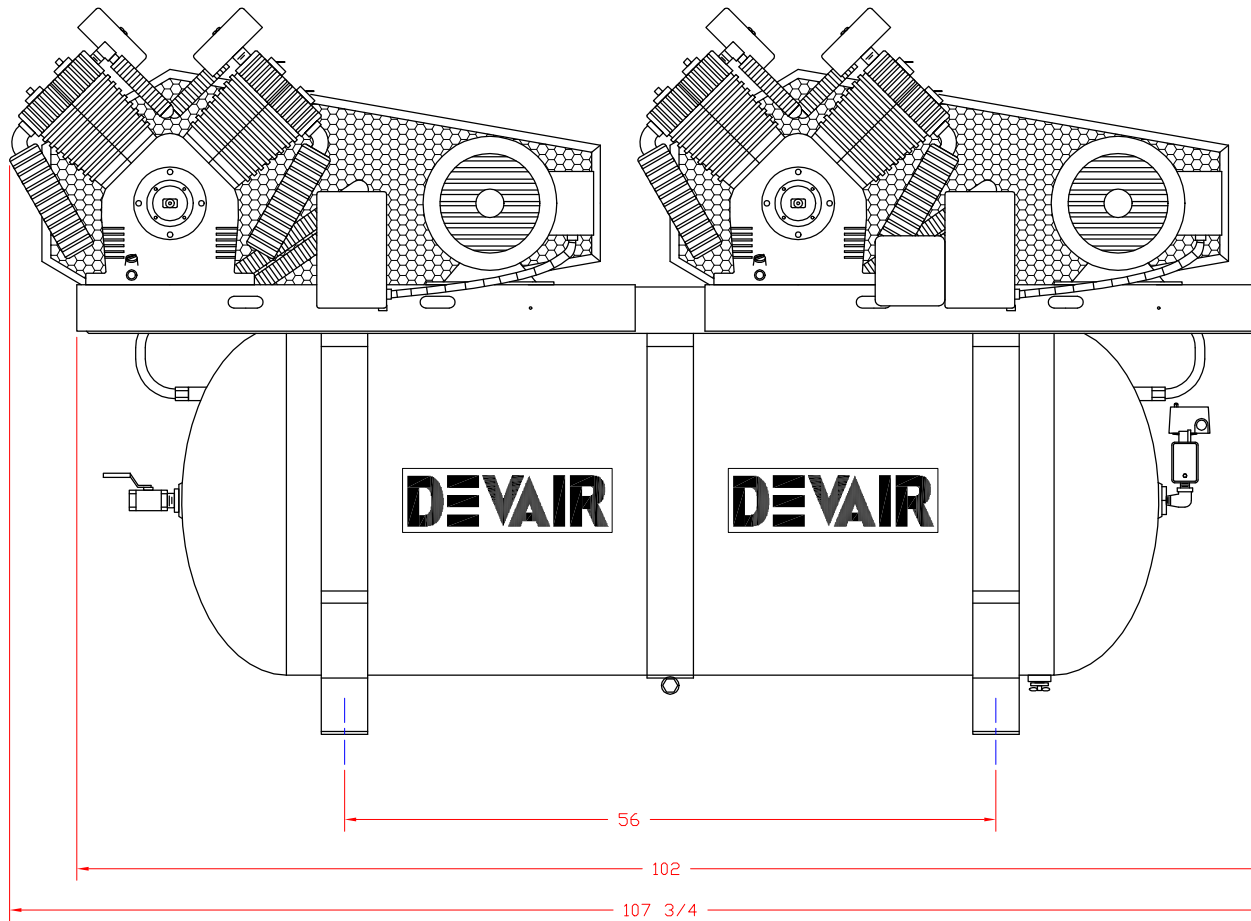


REV.	DATE	REVISION DESCRIPTION	PCN NO.



COMPRESSOR OUTFIT DATA				PRESSURE SETTING		RECEIVER CAPACITY		COMPRESSOR PUMP DATA				WEIGHT		ELECTRICAL				
MODEL	HP	DISPL. SCFM	DEL'Y SCFM	PSIG	KPA	GAL.	LITRS	TYPE	CYLD.	STAGE	RPM	LB.	KG.	VOLTAGE	200/3	230/3	460/3	575/3
VAT-5583	10	2 X 43.3	2 X 36.8	150	1034	240	908	447	4	2	590	1940	880	F.L.A.	31	28	14	11

IMPORTANT NOTE: This print is the confidential property of DEVAIR, INC. It is not to be used or reproduced in any manner, nor submitted to other parties for examination without the prior approval of DEVAIR, INC.

FRACTIONAL DIMENSIONS: ±1/32  
 DECIMAL DIMENSION: ±.005  
 ANGLES: ±1°  
 \*UNLESS OTHERWISE SPECIFIED



NAME OF PROJECT				DESCRIPTION OF DRAWING		
10 HP., 240 GAL., 150 PSI PRESSURE DUPLEX AIR COMPRESSOR				COMPRESSOR OUTFIT		
DRAWN BY CHECKED BY DATE SCALE				DRAWING NO.		SHT NO REV
ADAM SMITH				VAT-5583		
NDV.20/00						
N.T.S.						