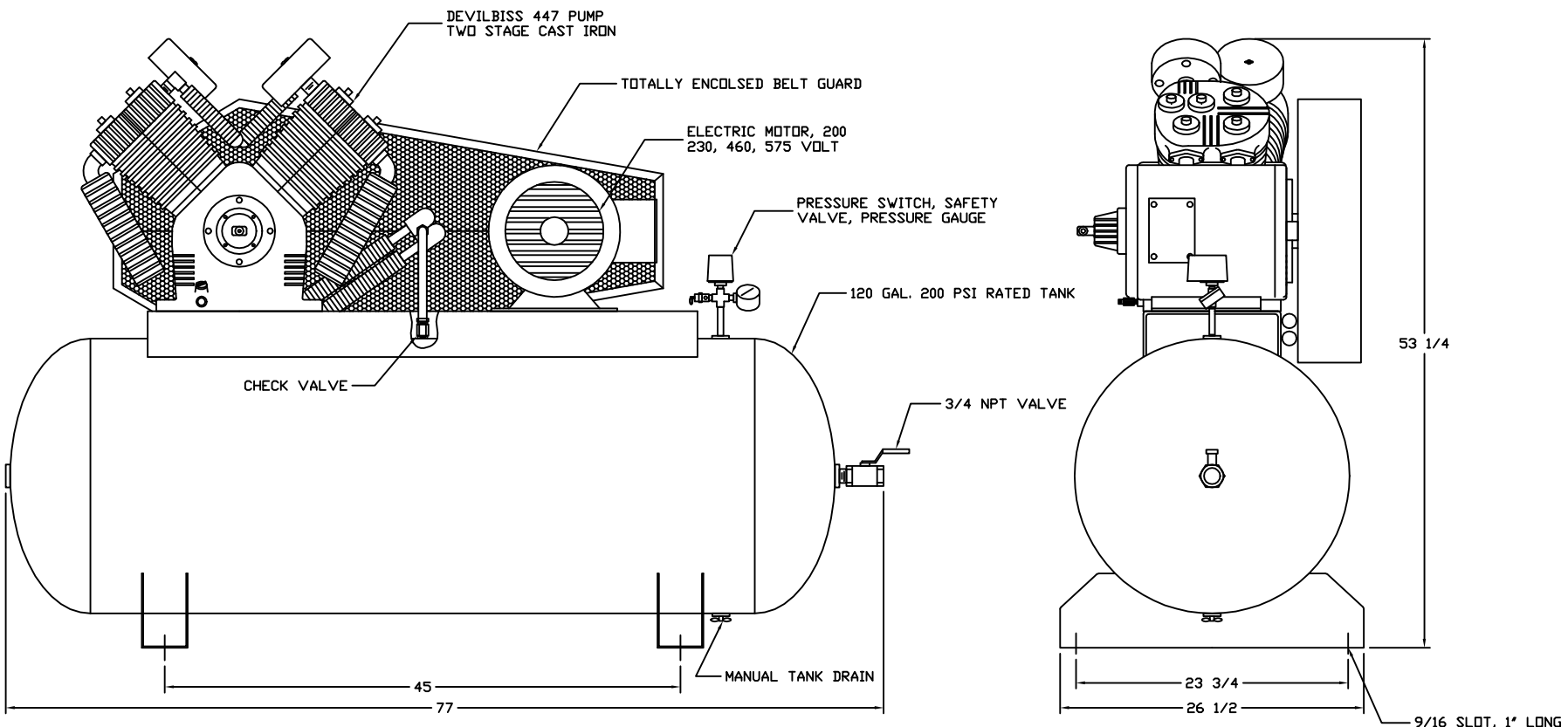


REV.	DATE	REVISION DESCRIPTION	PCN NO.



COMPRESSOR OUTFIT DATA				PRESSURE SETTING		RECEIVER CAPACITY		COMPRESSOR PUMP DATA				WEIGHT		ELECTRICAL				
MODEL	HP	DISPL. SCFM	DEL'Y SCFM	PSIG	KPA	GAL.	LITRS	TYPE	CYLD.	STAGE	RPM	LB.	KG.	VOLTAGE	200/3	230/3	460/3	575/3
VAT-5063	10	43.3	36.5	175	1207	120	454	447	4	2	590	900	408	F.L.A.	31	28	14	11

IMPORTANT NOTE: This print is the confidential property of DEVAIR, INC. It is not to be used or reproduced in any manner, nor submitted to other parties for examination without the prior approval of DEVAIR, INC.

FRACTIONAL DIMENSIONS: $\pm 1/32$
 DECIMAL DIMENSION: $\pm .005$
 ANGLES: $\pm 1'$
 *UNLESS OTHERWISE SPECIFIED



NAME OF PROJECT				DESCRIPTION OF DRAWING		
10 HP., 120 GAL., 175 PSI PRESSURE				COMPRESSOR OUTFIT		
DRAWN BY: IRAJ FILSOOFI				CHECKED BY:	DATE: 18 JAN. 99	SCALE: N.T.S.
DRAWING NO. VAT-5063				SHT NO:	REV:	