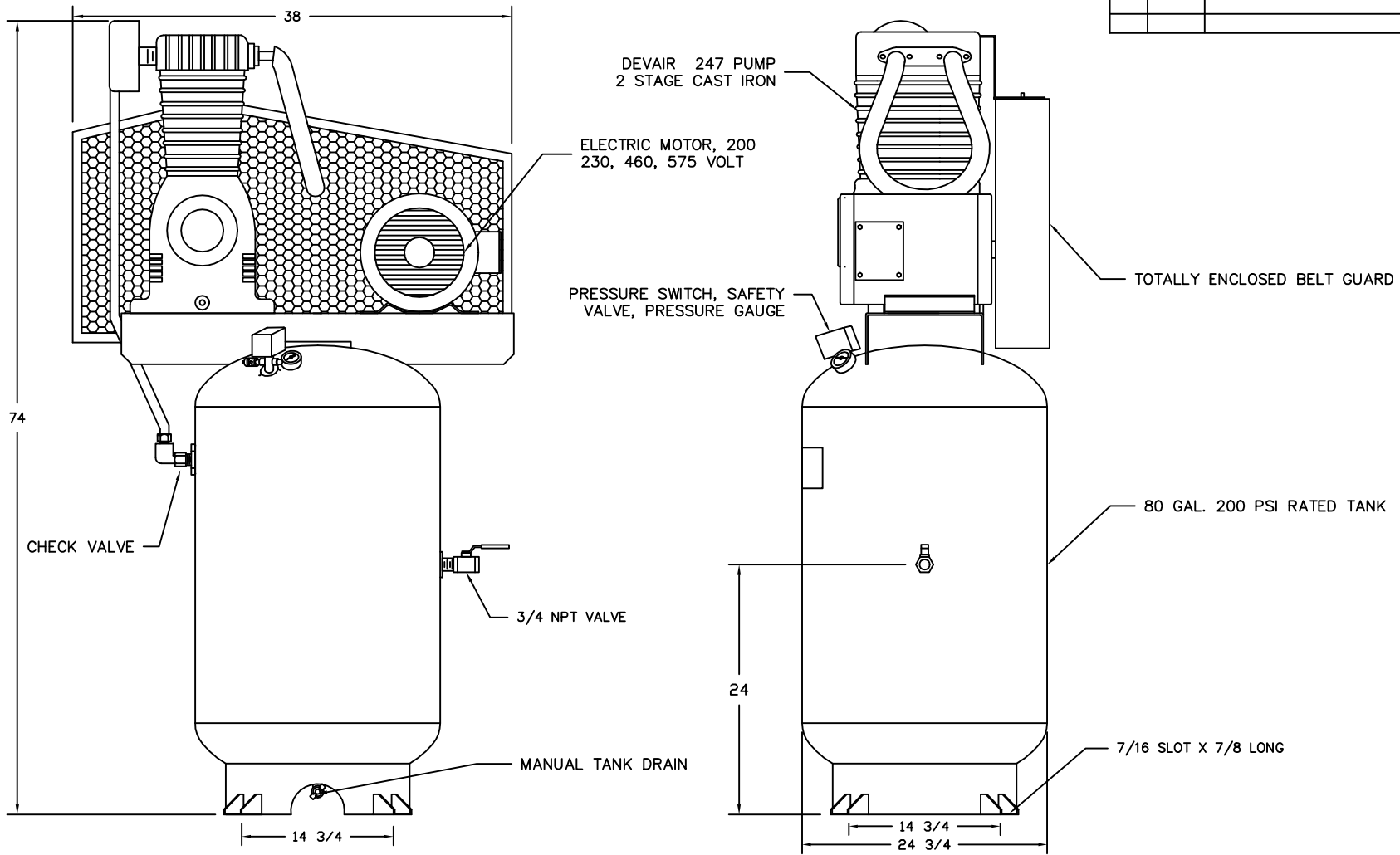


REV.	DATE	REVISION DESCRIPTION	PCN NO.



COMPRESSOR OUTFIT DATA				PRESSURE SETTING		RECEIVER CAPACITY		COMPRESSOR PUMP DATA				WEIGHT		ELECTRICAL					
MODEL	HP	DISPL. SCFM	DEL'Y SCFM	PSIG	KPA	GAL.	LITRS	TYPE	CYLD.	STAGE	RPM	LB.	KG.	VOLTAGE	230/1	200/3	230/3	460/3	575/3
TASV-5052	7 1/2	28.9	25.8	175	1207	80	302	247	2	2	800	700	317	FULL LOAD AMP	31	21.3	20	10	8

IMPORTANT NOTE: This print is the confidential property of DEVAIR, INC. It is not to be used or reproduced in any manner, nor submitted to other parties for examination without the prior approval of DEVAIR, INC.

FRACTIONAL DIMENSIONS: $\pm 1/32$
 DECIMAL DIMENSION: $\pm .005$
 ANGLES: $\pm 1'$
 *UNLESS OTHERWISE SPECIFIED



NAME OF PROJECT				DESCRIPTION OF DRAWING		
7 1/2 HP., 80 GAL., 175 PSI PRESSURE				COMPRESSOR OUTFIT		
DRAWN BY				DRAWING NO.		SHT NO/REV
CHECKED BY		DATE	SCALE		TASV-5052	
IRAJ FILSOOFI		18 JAN 99	N.T.S.			