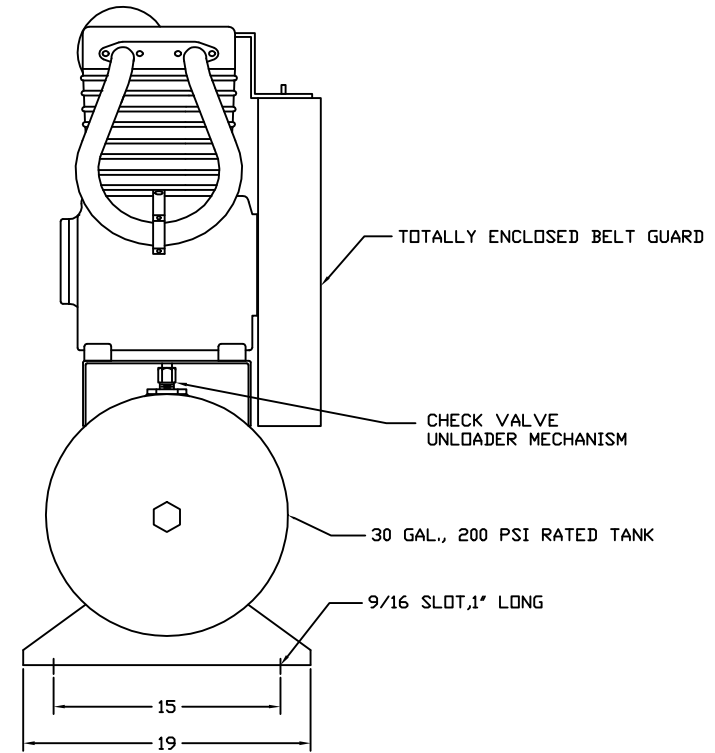
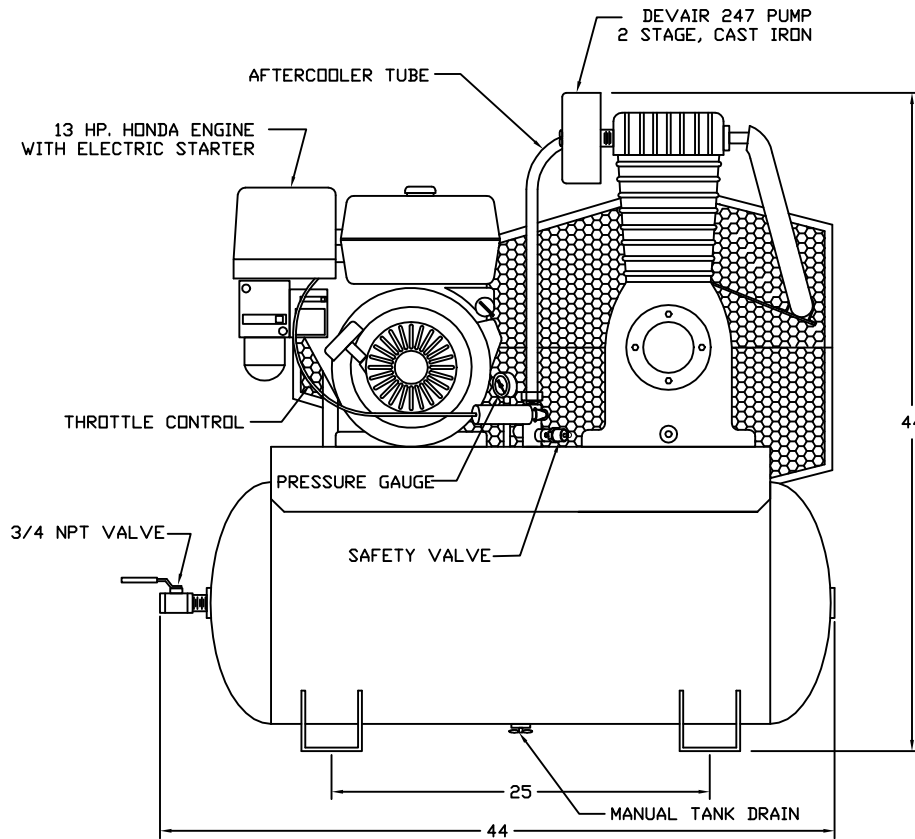


REV.	DATE	REVISION DESCRIPTION	PCN NO.
	15APR98	NEW	98-11



COMPRESSOR OUTFIT DATA				PRESSURE SETTING		RECEIVER CAPACITY		COMPRESSOR PUMP DATA				WEIGHT	
MODEL	HP	DISPL. SCFM	DEL'Y SCFM	PSIG	KPA	GAL.	LITRS	TYPE	CYLD.	STAGE	RPM	LB.	KG.
TASE-5030	13	28.9	25.8	175	1207	30	113	247	2	2	800	517	234

IMPORTANT NOTE: This print is the confidential property of DEVAIR, INC. It is not to be used or reproduced in any manner, nor submitted to other parties for examination without the prior approval of DEVAIR, INC.

FRACTIONAL DIMENSIONS: $\pm 1/32$
 DECIMAL DIMENSION: $\pm .005$
 ANGLES: $\pm 1'$
 *UNLESS OTHERWISE SPECIFIED

DEVAIR

NAME OF PROJECT				DESCRIPTION OF DRAWING		
13 HP., 30 GAL., 175 PSI PRESSURE				GAS DRIVEN AIR COMPRESSOR		
DRAWN BY		CHECKED BY	DATE	SCALE	DRAWING NO.	SHT NO/REV
IRAJ FILSOOFI			18 JAN. 99	N.T.S.	TASE-5030	