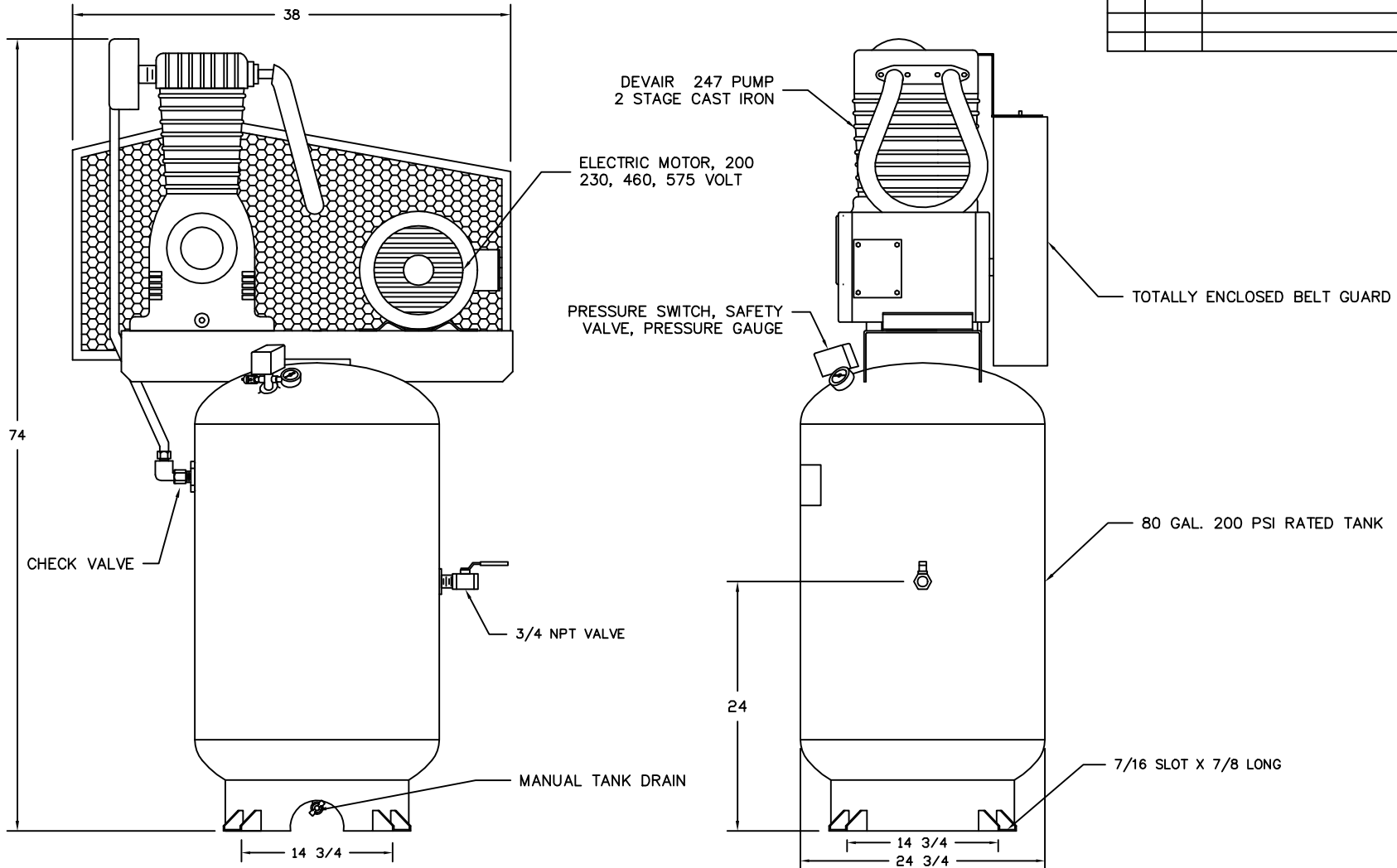


REV.	DATE	REVISION DESCRIPTION	PCN NO.



COMPRESSOR OUTFIT DATA				PRESSURE SETTING		RECEIVER CAPACITY		COMPRESSOR PUMP DATA				WEIGHT		ELECTRICAL											
MODEL	HP	DISPL. SCFM	DEL'Y SCFM	PSIG	KPA	GAL.	LITRS	TYPE	CYLD.	STAGE	RPM	LB.	KG.	VOLTAGE	230/1	200/3	230/3	460/3	575/3	FULL LOAD AMP	25	15.4	13.2	6.6	5.3
TAPV-5052	5	23.4	19.1	175	1207	80	302	247	2	2	635	685	310												

IMPORTANT NOTE: This print is the confidential property of DEVAIR, INC. It is not to be used or reproduced in any manner, nor submitted to other parties for examination without the prior approval of DEVAIR, INC.

FRACTIONAL DIMENSIONS: ±1/32
 DECIMAL DIMENSION: ±.005
 ANGLES: ±1°
 *UNLESS OTHERWISE SPECIFIED



NAME OF PROJECT				DESCRIPTION OF DRAWING			
5 HP., 80 GAL., 175 PSI PRESSURE				COMPRESSOR OUTFIT			
DRAWN BY		CHECKED BY		DATE		SCALE	
IRAJ FILSOOFI				18 JAN. 1999		N.T.S.	
DRAWING NO.				SHT NO/REV			
TAPV-5052							