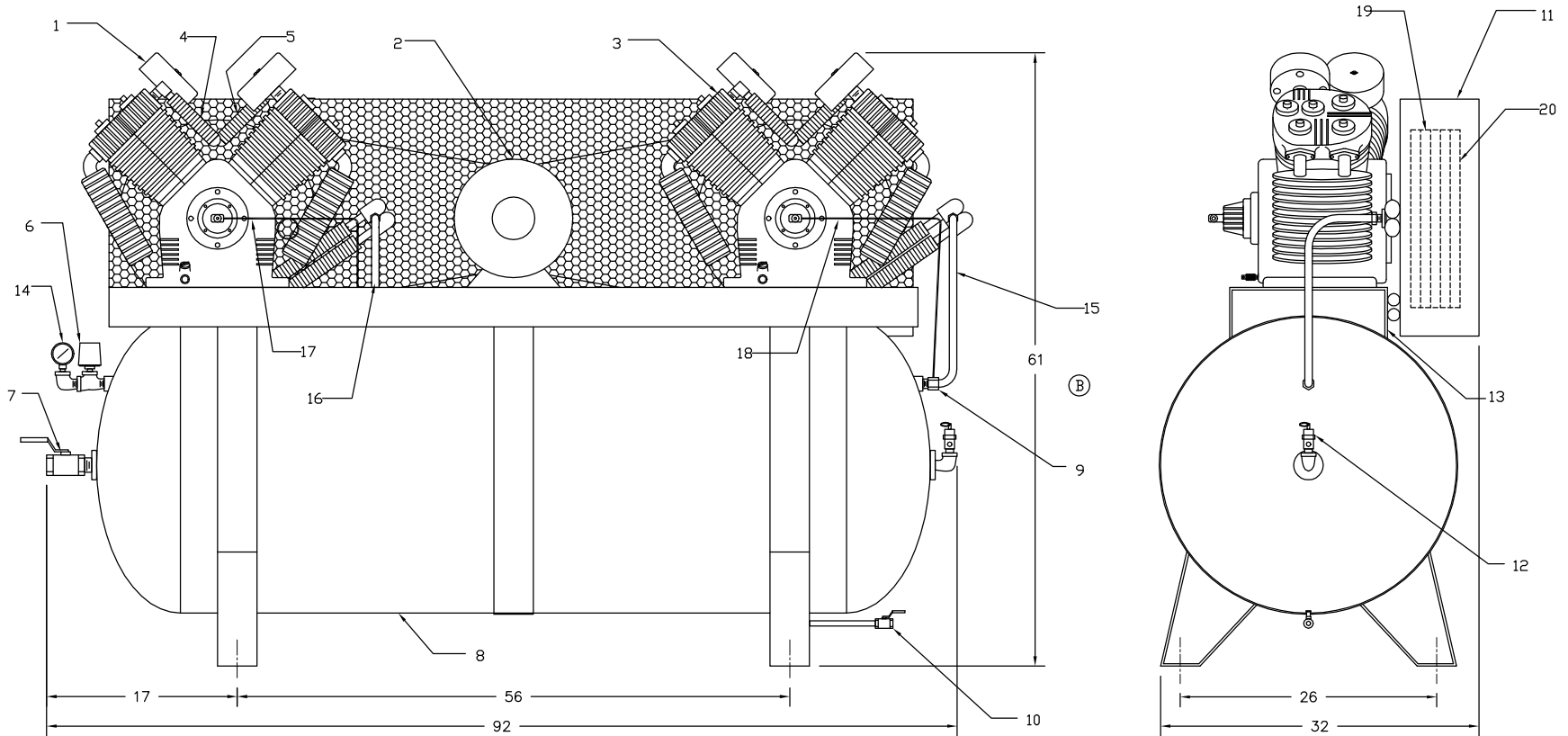


NO.	VAY-5081	DESCRIPTION
1	357-9401	FILTER ASSEMBLY
	357-9701	AIR FILTER
2	M0-6901	25 HP. MOTOR 200/3
	M0-6903	25 HP. MOTOR 230,460/3
	M0-6991	25 HP. MOTOR 575/3
3	447-4523-P	COMPRESSOR PUMP
4	CT-9480	INNER AFTERCOOLER TUBE FINNED
5	CT-9479	OUTER AFTERCOOLER TUBE FINNED
6	SSS-9003-115150	PRESSURE SWITCH

7	VA-9708	BALL VALVE 2"x2" NPT
8	TA-9003-1	TANK 240 GAL.
9	CCV-9408	1" CHECK VALVE
10	SS-2707	DRAIN COCK
11	EG-9410-P	BELT GUARD
12	SS-00617	SAFETY VALVE 200 PSI.
13	VAX-9408	COMPRESSOR BASE
14	GA-250	GAUGE 300 PSI. 2" DIA.
15	CT-9737	AFTERCOOLER CONNECTOR
16	CT-9738	AFTERCOOLER CONNECTOR

REV.	DATE	REVISION DESCRIPTION	PCN NO.
A	JUNE22/00	DRAWING REVISED	
B	DEC.7/00	CHG'D TO 1" CHK VALVE & TUBE, WAS 3/4"	

17	CT-9736	PRESSURE RELEASE TUBE
18	CT-9735	PRESSURE RELEASE TUBE
19	BT-118	<4> B100 BELTS
20	PU-9210	PULLEYS



IMPORTANT NOTE: This print is the confidential property of DEVAIR, INC. It is not to be used or reproduced in any manner, nor submitted to other parties for examination without the prior approval of DEVAIR, INC.

FRACTIONAL DIMENSIONS: $\pm 1/32$
 DECIMAL DIMENSION: $\pm .005$
 ANGLES: $\pm 1'$
 *UNLESS OTHERWISE SPECIFIED

DEVAIR

NAME OF PROJECT				DESCRIPTION OF DRAWING	
25 HP., 240 GAL., 175 PSI PRESSURE				COMPRESSOR OUTFIT	
DRAWN BY				DRAWING NO.	
CHECKED BY				SHT NO/REV	
DATE				VAX-5081	
SCALE				B	
IRAJ FILSOOFI				28 APR/00	
N.T.S.					