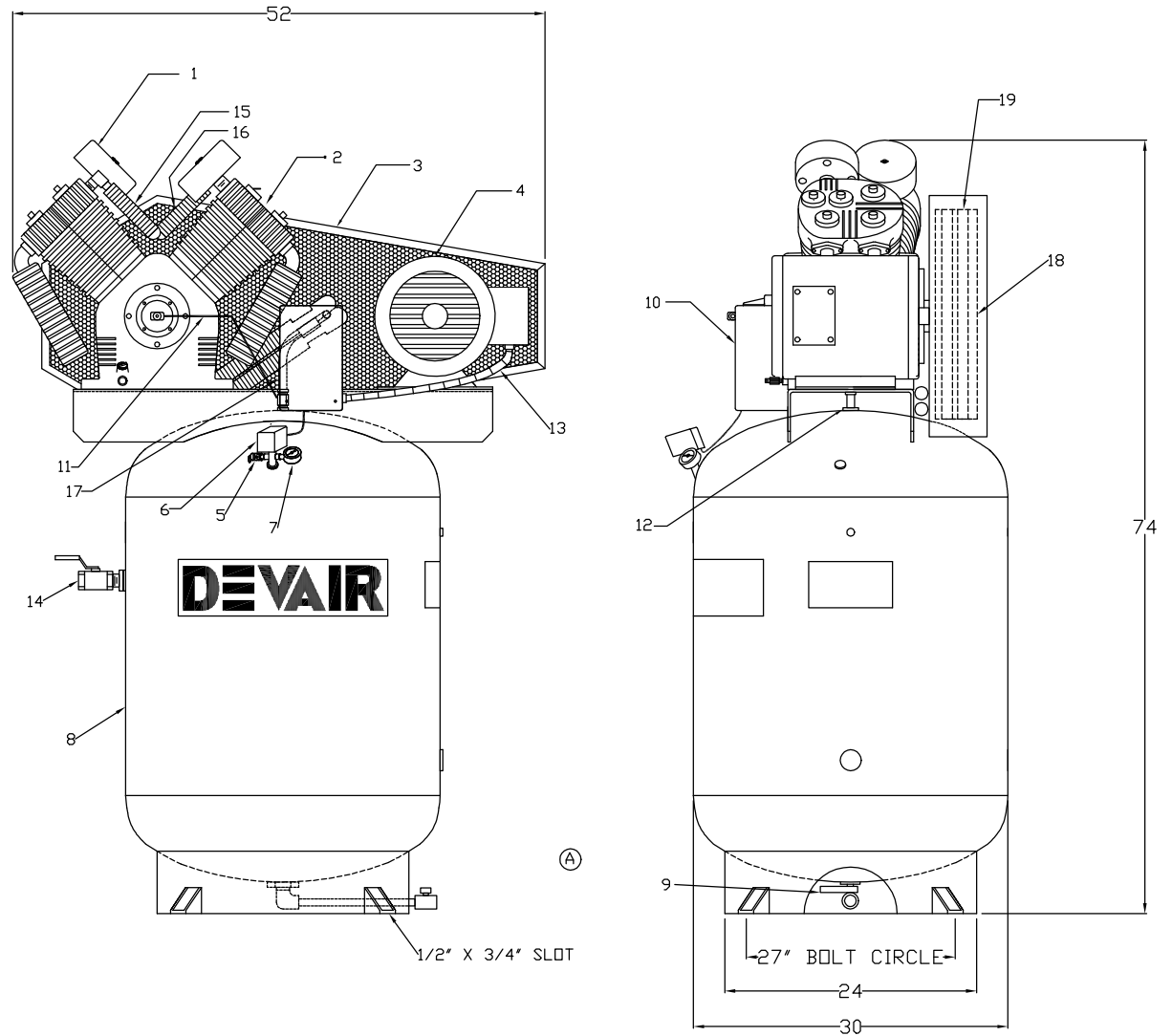


| NO. | PART NO. | DESCRIPTION |
|-----|-----------------|-------------------------|
| 1 | 357-9401 | FILTER ASSEMBLY |
| | 357-9701 | AIR FILTER |
| 2 | 447-4523-P | COMPRESSOR PUMP |
| 3 | EG-9402-1-P | GUARD ASSEMBLY |
| 4 | MD-6712 | 15 HP. MOTOR 200/3 |
| | MD-6713 | 15 HP. MOTOR 230,460/3 |
| | MD-6791 | 15 HP. MOTOR 575/3 |
| 5 | TIA-5200 | SAFETY VALVE, 200 PSI. |
| 6 | SSS-9003-115150 | PRESSURE SWITCH |
| 7 | GA-250 | GAUGE, 300 PSI. 2" DIA |
| 8 | TA-9499 | VERTICAL TANK, 120 GAL. |
| 9 | SS-2707 | 1/4" NPT BALL VALVE |
| 10 | MS-360-41 | MAG STARTER 200/3 |
| | MS-360-43 | MAG STARTER 230/3 |
| | MS-340-45 | MAG STARTER 460/3 |
| | MS-340-69 | MAG STARTER 575/3 |
| 11 | CT-9724 | PRESSURE RELEASE TUBE |
| 12 | CCV-9408 | CHECK VALVE 1" |
| 13 | MH-9006 | WIRING HARNESS 200V |
| | MH-9005 | WIRING HARNESS 230V |
| | MH-9008 | WIRING HARNESS 575/460V |
| 14 | VA-9705 | BALL VALVE |
| 15 | CT-9480 | INNER AFTERCOOLER TUBE |
| 16 | CT-9479 | OUTER AFTERCOOLER TUBE |
| 17 | CT-9487 | CHECK VALVE TUBE |
| 18 | PU-9198 | PULLEY |
| 19 | BT-118 | (2) B100 BELTS |
| 20 | HCB-9458 | MOTOR & COMP. BASE |

| REV. | DATE | REVISION DESCRIPTION | PCN NO. |
|------|----------|--------------------------|---------|
| A | NOV.7/00 | TANK DRAIN MOVED TO SIDE | ---- |
| | | | |



IMPORTANT NOTE: This print is the confidential property of DEVAIR, INC. It is not to be used or reproduced in any manner, nor submitted to other parties for examination without the prior approval of DEVAIR, INC.

FRACTIONAL DIMENSIONS: $\pm 1/32$
 DECIMAL DIMENSION: $\pm .005$
 ANGLES: $\pm 1'$
 *UNLESS OTHERWISE SPECIFIED

DEVAIR

| NAME OF PROJECT | | | | DESCRIPTION OF DRAWING | |
|--|--|--------|--|------------------------|------------|
| 15 HP., 120 GAL. VERTICAL TANK 175 PSI PRESSURE | | | | COMPRESSOR OUTFIT | |
| DRAWN BY | | | | DRAWING NO. | SHT NO/REV |
| CHECKED BY | | | | VAVV-5062 | A |
| DATE | | SCALE | | | |
| SEPT. 11/00 | | N.T.S. | | | |