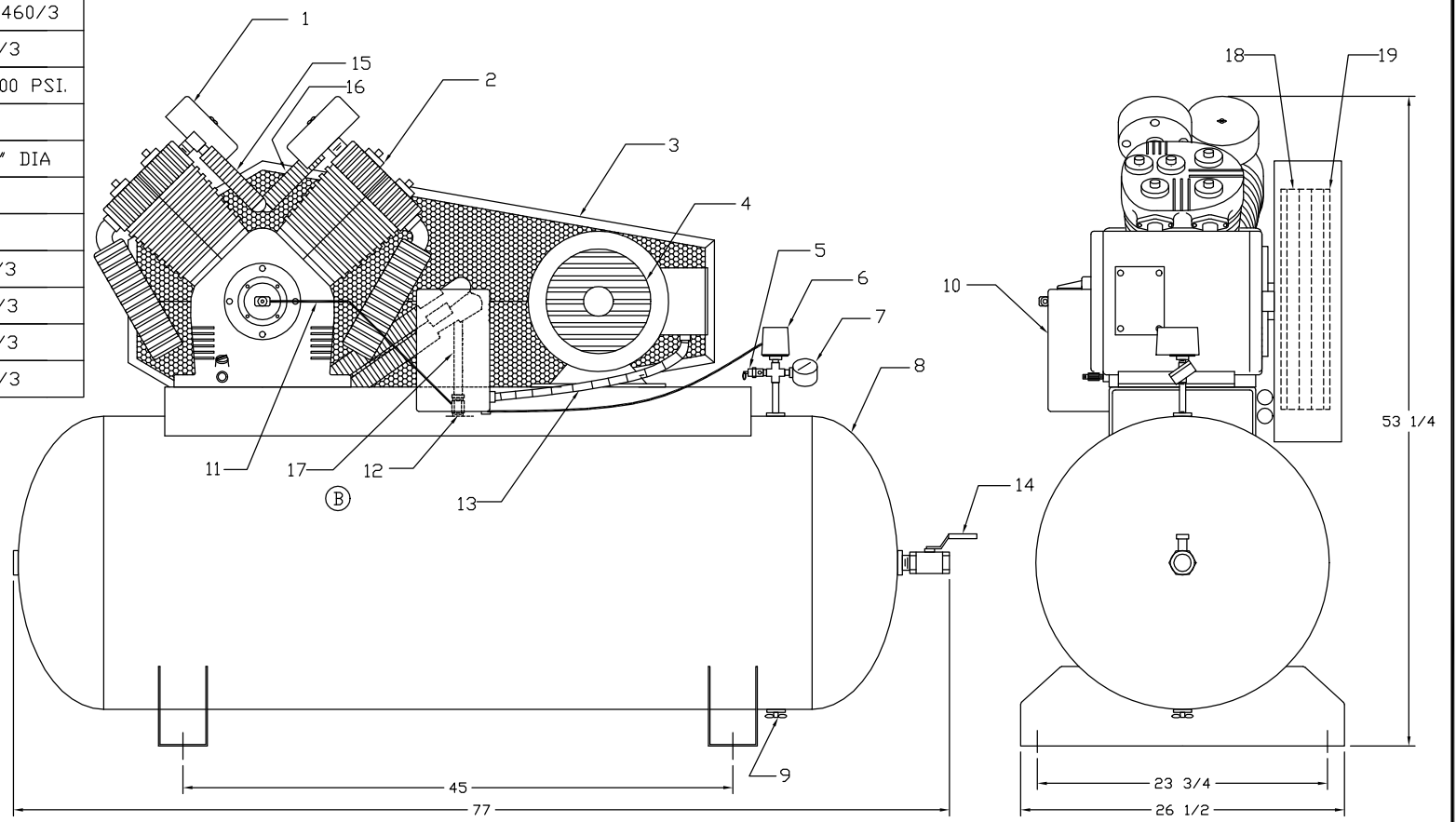


NO.	VAV-5062-MS	DESCRIPTION
1	357-9401	FILTER ASSEMBLY
	357-9701	AIR FILTER
2	447-4523-P	COMPRESSOR PUMP
3	EG-9487	GUARD ASSEMBLY
4	MD-6712	15 HP. MOTOR 200/3
	MD-6713	15 HP. MOTOR 230,460/3
	MD-6791	15 HP. MOTOR 575/3
5	TIA-5200	SAFETY VALVE, 200 PSI.
6	SSS-9003-115150	PRESSURE SWITCH
7	GA-250	GAUGE, 300 PSI. 2" DIA
8	TA-9491-1	TANK 120 GAL.
9	15 SS-2707	DRAIN COCK
10	MS-360-41	MAG STARTER 200/3
	MS-360-43	MAG STARTER 230/3
	MS-340-45	MAG STARTER 460/3
	MS-340-69	MAG STARTER 575/3

11	CT-9724	PRESSURE RELEASE TUBE
12	CCV-9408	1" CHECK VALVE
13	MH-9006	WIRING HARNESS 200,460V
	MH-9005	WIRING HARNESS 230V
	MH-9008	WIRING HARNESS 575V
14	VA-9705	BALL VALVE

15	CT-9480	INNER AFTERCOOLER TUBE
16	CT-9479	OUTER AFTERCOOLER TUBE
17	CT-9734	CHECK VALVE TUBE
18	BT-118	(2) B100 BELTS
19	PU-9198	PULLEY

REV.	DATE	REVISION DESCRIPTION	PCN NO.
A	JUNE22/00	DRAWING REVISED	
B	DEC.7/00	CHG'D 1" CHK VALVE & TUBE, WAS 3/4"	00-26
C	AUG.22/01	EG-9487 WAS EG-9402-1-P	01-26



IMPORTANT NOTE: This print is the confidential property of DEVAIR, INC. It is not to be used or reproduced in any manner, nor submitted to other parties for examination without the prior approval of DEVAIR, INC.

FRACTIONAL DIMENSIONS: $\pm 1/32$
 DECIMAL DIMENSION: $\pm .005$
 ANGLES: $\pm 1'$
 *UNLESS OTHERWISE SPECIFIED



NAME OF PROJECT		DESCRIPTION OF DRAWING	
15 HP., 120 GAL., 175 PSI PRESSURE		COMPRESSOR OUTFIT	
DRAWN BY	CHECKED BY	DATE	SCALE
IRAJ FILSOOFI		28 APR/00	N.T.S.
DRAWING NO.		SHT NO/REV	
VAV-5062		C	