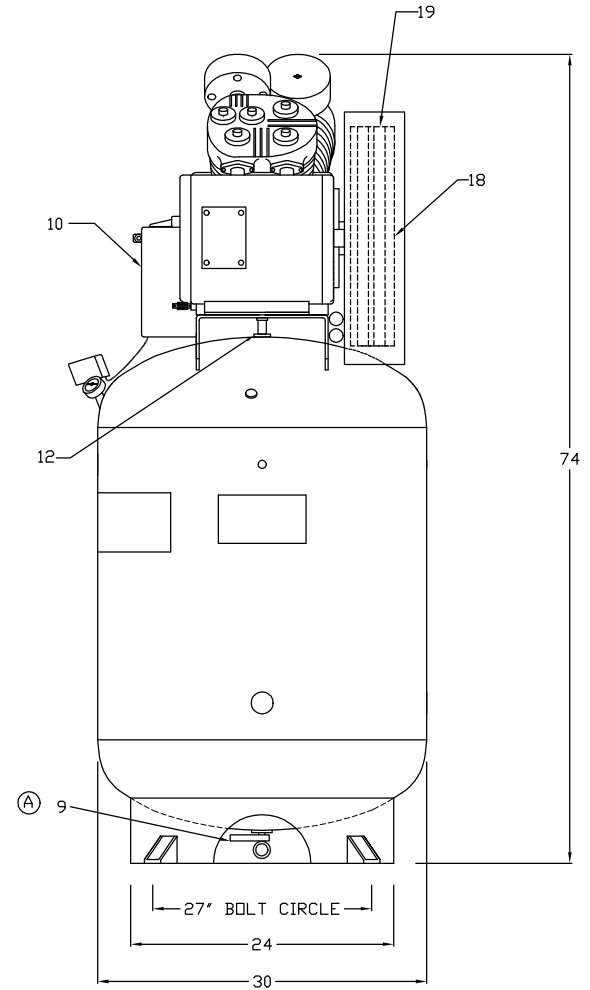
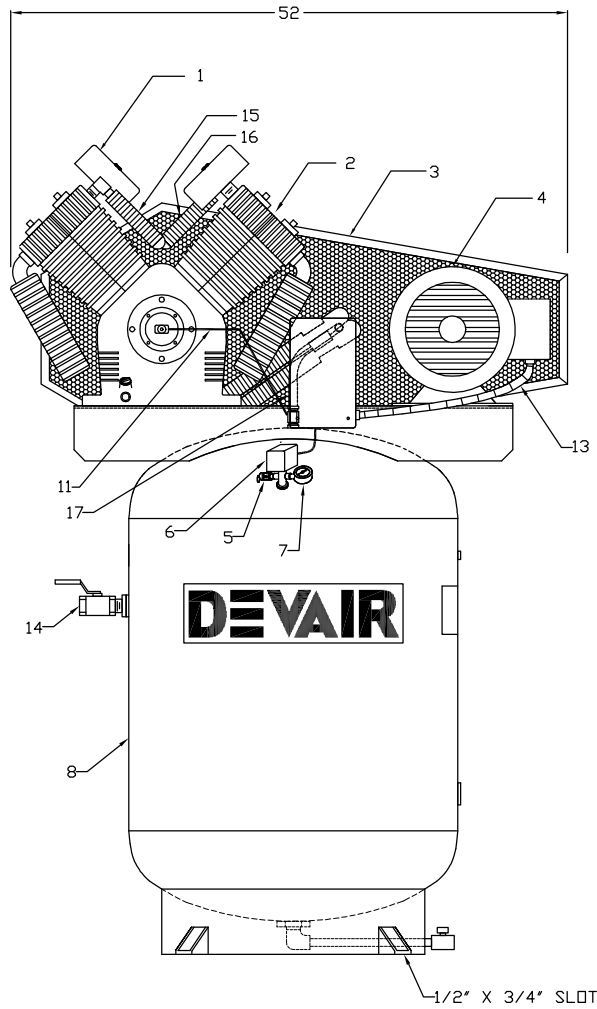


PART NO.	DESCRIPTION
357-9401	FILTER ASSEMBLY
357-9701	AIR FILTER
147-4523-P	COMPRESSOR PUMP
EG-9487	GUARD ASSEMBLY
10-6614	10 HP. MOTOR 200/3
10-6635	10 HP. MOTOR 230,460/3
10-6613	10 HP. MOTOR 575/3
1A-5200	SAFETY VALVE, 200 PSI.
SS-9003-115150	PRESSURE SWITCH
GA-250	GAUGE, 300 PSI. 2" DIA
VA-9499	VERTICAL TANK, 120 GAL.
SS-2707	1/4" NPT BALL VALVE
1S-340-41	MAG STARTER 200/3
1S-340-43	MAG STARTER 230/3
1S-340-45	MAG STARTER 460/3
1S-340-69	MAG STARTER 575/3
PT-9724	PRESSURE RELEASE TUBE
CV-9408	CHECK VALVE 1"
WH-9005	WIRING HARNESS 200/230V
WH-9007	WIRING HARNESS 460/575V
VA-9705	BALL VALVE 3/4 NPT
IT-9480	INNER AFTERCOOLER TUBE
IT-9479	OUTER AFTERCOOLER TUBE
IT-9487	CHECK VALVE TUBE
PU-9091	PULLEY
BT-	(2) B93 BELTS

REV.	DATE	REVISION DESCRIPTION	PCN NO.
A	NOV.7/00	TANK DRAIN MOVED TO SIDE	----
B	AUG.22/01	EG-9487 WAS EG-9402-1-P	01-26



IMPORTANT NOTE: This print is the confidential property of DEVAIR, INC. It is not to be used or reproduced in any manner, nor submitted to other parties for examination without the prior approval of DEVAIR, INC.

FRACTIONAL DIMENSIONS: $\pm 1/32$
 DECIMAL DIMENSION: $\pm .005$
 ANGLES: $\pm 1'$
 *UNLESS OTHERWISE SPECIFIED

DEVAIR

NAME OF PROJECT		DESCRIPTION OF DRAWING	
10 HP., 120 GAL. VERTICAL TANK 175 PSI PRESSURE		COMPRESSOR OUTFIT	
DRAWN BY	CHECKED BY	DATE	SCALE
ADAM SMITH		SEPT. 11/00	N.T.S.
DRAWING NO.		SHT NO	REV
VATV-5063			B