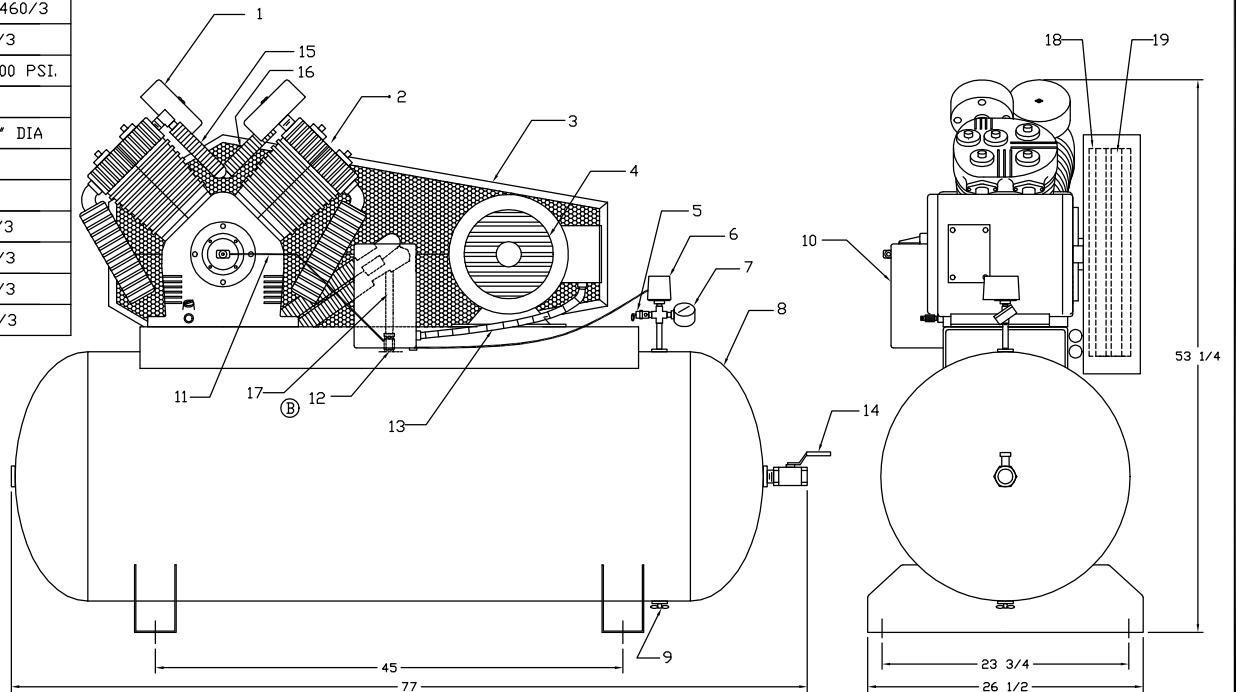


NO.	VAT-5063-MS	DESCRIPTION	11 CT-9724	PRESSURE RELEASE TUBE	15 CT-9480	INNER AFTERCOOLER TUBE	REV.	DATE	REVISION DESCRIPTION	PCN NO.
1	357-9401	FILTER ASSEMBLY	12 CCV-9408	1" CHECK VALVE	16 CT-9479	OUTER AFTERCOOLER TUBE	A	JUNE22/00	DRAWING REVISED	
	357-9701	AIR FILTER	13 MH-9005	WIRING HARNESS	17 CT-9734	CHECK VALVE TUBE	B	DEC7/00	CHG'D 1" CHK VALVE & TUBE WAS 3/4"	00-26
2	447-4523-P	COMPRESSOR PUMP		MH-9007	WIRING HARNESS	18 PU-9091				
3	EG-9487	GUARD ASSEMBLY	14 VA-9705	BALL VALVE	19 BT-9030	<2> B95 BELTS	C	AUG22/01	EG-9487 WAS EG-9402-1-P	01-26
4	MD-6614	10 HP. MOTOR 200/3								
	MD-6635	10 HP. MOTOR 230,460/3								
	MD-6613	10 HP. MOTOR 575/3								
5	TIA-5200	SAFETY VALVE, 200 PSI.								
6	SSS-9003-115150	PRESSURE SWITCH								
7	GA-250	GAUGE, 300 PSI. 2" DIA.								
8	TA-9491-1	TANK 120 GAL.								
9	SS-2707	DRAIN COCK								
10	MS-340-41	MAG STARTER 200/3								
	MS-340-43	MAG STARTER 230/3								
	MS-340-45	MAG STARTER 460/3								
	MS-340-69	MAG STARTER 575/3								



IMPORTANT NOTE: This print is the confidential property of DEVAIR, INC. It is not to be used or reproduced in any manner, nor submitted to other parties for examination without the prior approval of DEVAIR, INC.

FRACTIONAL DIMENSIONS: ±1/32
 DECIMAL DIMENSION: ±.005
 ANGLES: ±1°
 UNLESS OTHERWISE SPECIFIED

DEVAIR

NAME OF PROJECT				DESCRIPTION OF DRAWING	
10 HP., 120 GAL., 175 PSI PRESSURE				COMPRESSOR OUTFIT	
DRAWN BY				DRAWING NO.	SHT NO/REV
RAJ FILSOOFI	CHECKED BY	DATE	SCALE	VAT-5063	
		28 APR/00	N.T.S.		C