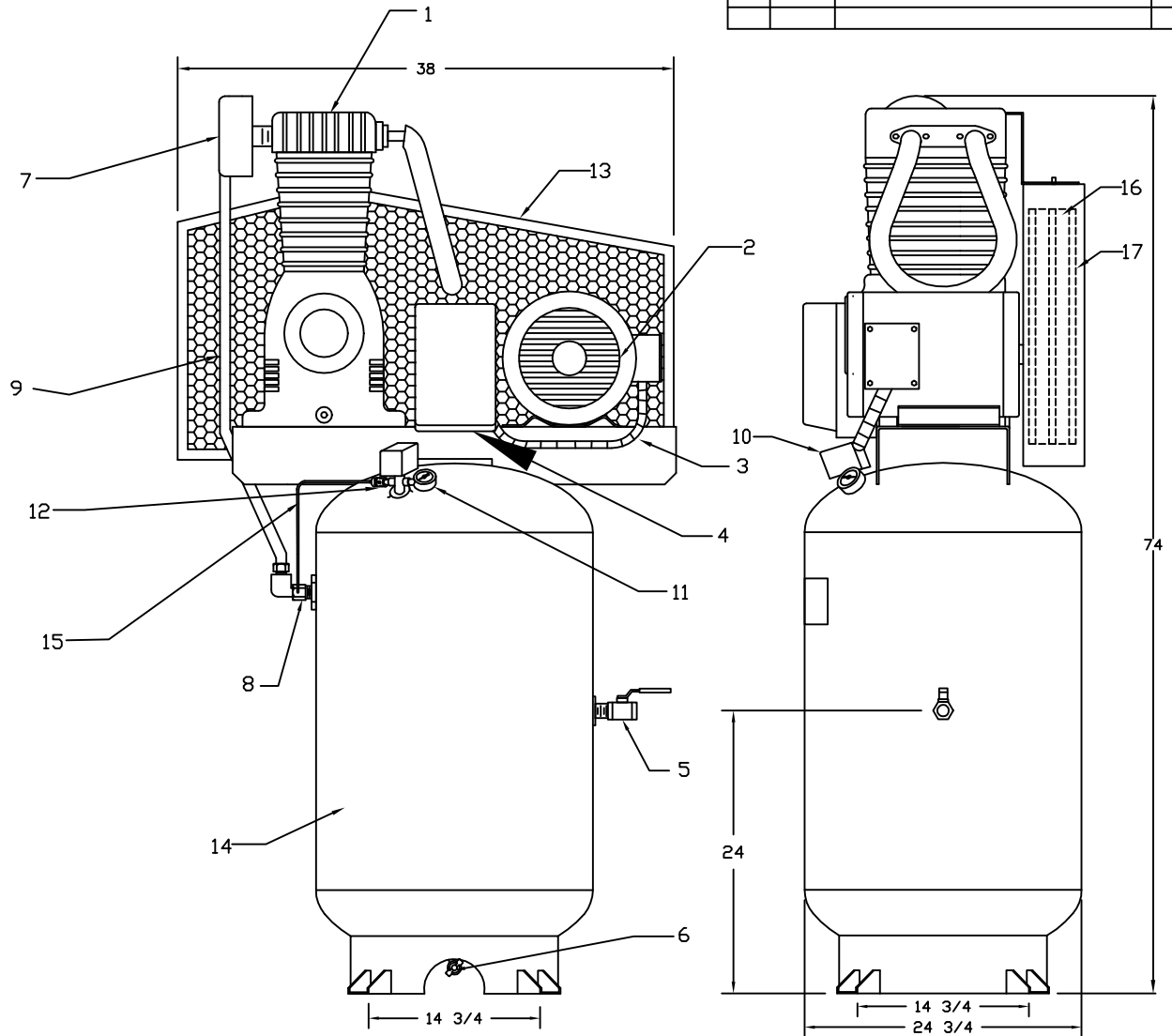


NO.	TASV-5052-MS	DESCRIPTION
1	247-4502-P	COMPRESSOR PUMP
2	MD-9033	7.5HP. MOTOR 230/1
	MD-6507	7.5HP. MOTOR 200/3
	MD-6535	7.5HP. MOTOR 230,460/3
	MD-6514	7.5HP. MOTOR 575/3
3	MH-9001	WIRING HARNESS, 1 PHASE
	MH-9004	WIRING HARNESS, 3 PHASE
4	MS-140-03	MAG STARTER 230/1
	MS-340-41	MAG STARTER 200/3
	MS-340-43	MAG STARTER 230/3
	MS-340-45	MAG STARTER 460/3
	MS-340-69	MAG STARTER 575/3
5	VA-9705	BALL VALVE
6	SS-2707	DRAIN COCK
7	357-9401	FILTER ASSEMBLY
	357-9701	AIR FILTER
8	CCV-9403	CHECK VALVE
9	CT-9727	AFTERCoolER TUBE
10	SSS-9003U115150	PRESSURE SWITCH
11	GA-250	GAUGE, 300 PSI. 2" DIA.
12	TIA-5200	SAFETY VALVE, 200 PSI.
13	EG-9485	GUARD ASSEMBLY
14	TA-9496-3	TANK 80 GAL.
15	CT-9729	PRES RELEASE TUBE
16	BT-39	(2) B81 BELTS
17	PU-9196	PULLEY



REV.	DATE	REVISION DESCRIPTION	PCN NO.

IMPORTANT NOTE: This print is the confidential property of DEVAIR, INC. It is not to be used or reproduced in any manner, nor submitted to other parties for examination without the prior approval of DEVAIR, INC.

FRACTIONAL DIMENSIONS: $\pm 1/32$
 DECIMAL DIMENSION: $\pm .005$
 ANGLES: $\pm 1'$
 *UNLESS OTHERWISE SPECIFIED

DEVAIR

NAME OF PROJECT				DESCRIPTION OF DRAWING		
7.5 HP., 80 GAL., 175 PSI PRESSURE				COMPRESSOR OUTFIT		
DRAWN BY		CHECKED BY	DATE	SCALE	DRAWING NO.	SHT NO/REV
IRAJ FILSOOFI			28 APR/00	N.T.S.	TASV-5052	